

OAN-2081w/ Optional Accessories



8dBi Omni Directional Antenna (2.4GHz)





Ground cable →







ANA-6100

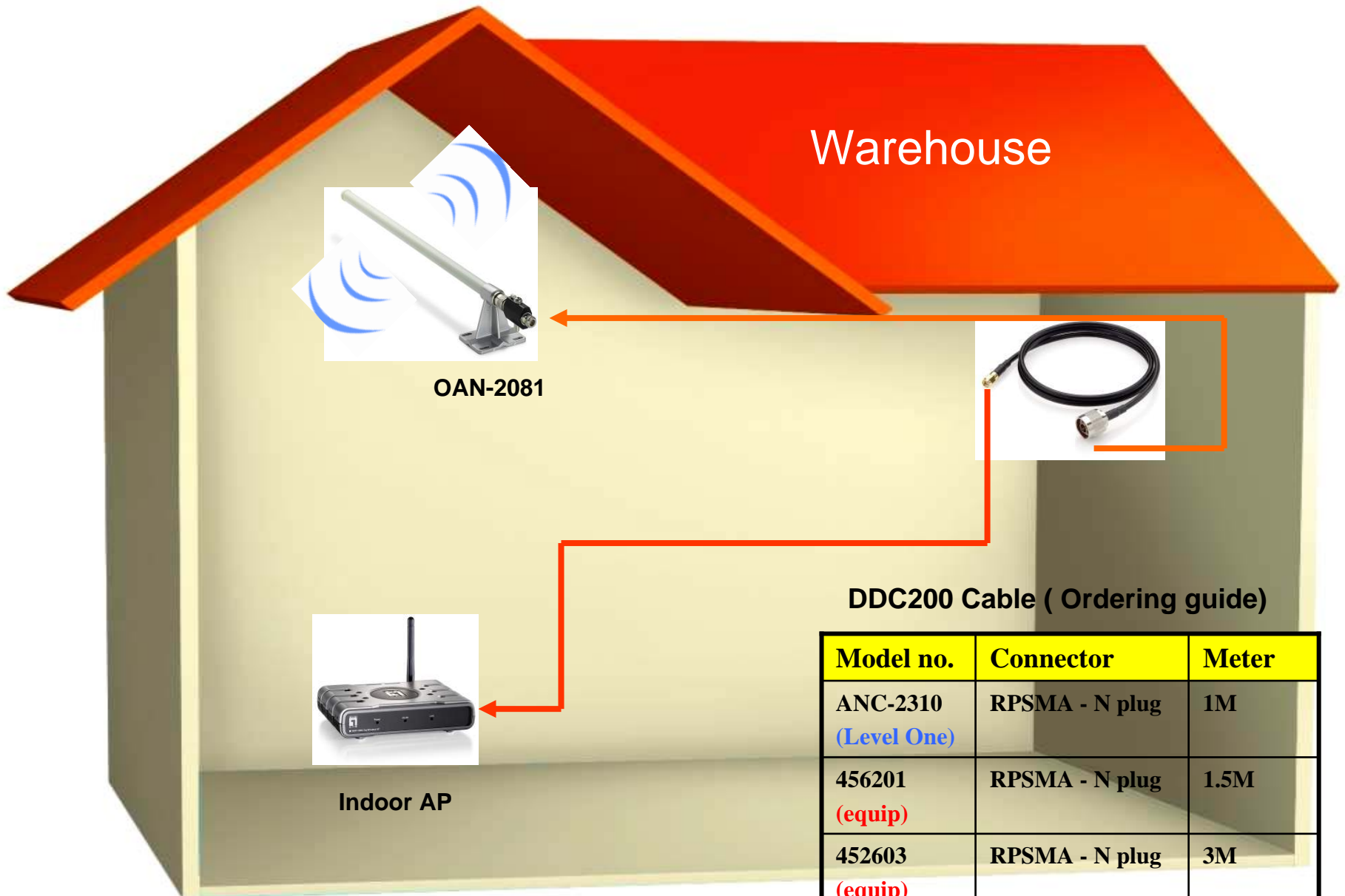
0~6GHz Surge Protector

DDC400 Cable

Model no.	Connector	Meter	Photo
ANC-4230 (Level One)	N plug- N plug	3M	
456403 (Equip)	N plug- N jack	3M	
456406 (Equip)	N plug- N jack	6M	
456409 (Equip)	N plug-N jack	9M	

DDC200 Cable

Model no.	Connector	Meter	Photo
ANC-2210 (Level One)	N plug- N plug	1M	
ANC-2310 (Level One)	RPSMA-N plug	1M	
456201 (Equip)	RPSMA-N plug	1.5M	
452603 (Equip)	RPSMA-N plug	3M	



Warehouse



OAN-2081



DDC200 Cable (Ordering guide)



Indoor AP

Model no.	Connector	Meter
ANC-2310 (Level One)	RPSMA - N plug	1M
456201 (equip)	RPSMA - N plug	1.5M
452603 (equip)	RPSMA - N plug	3M

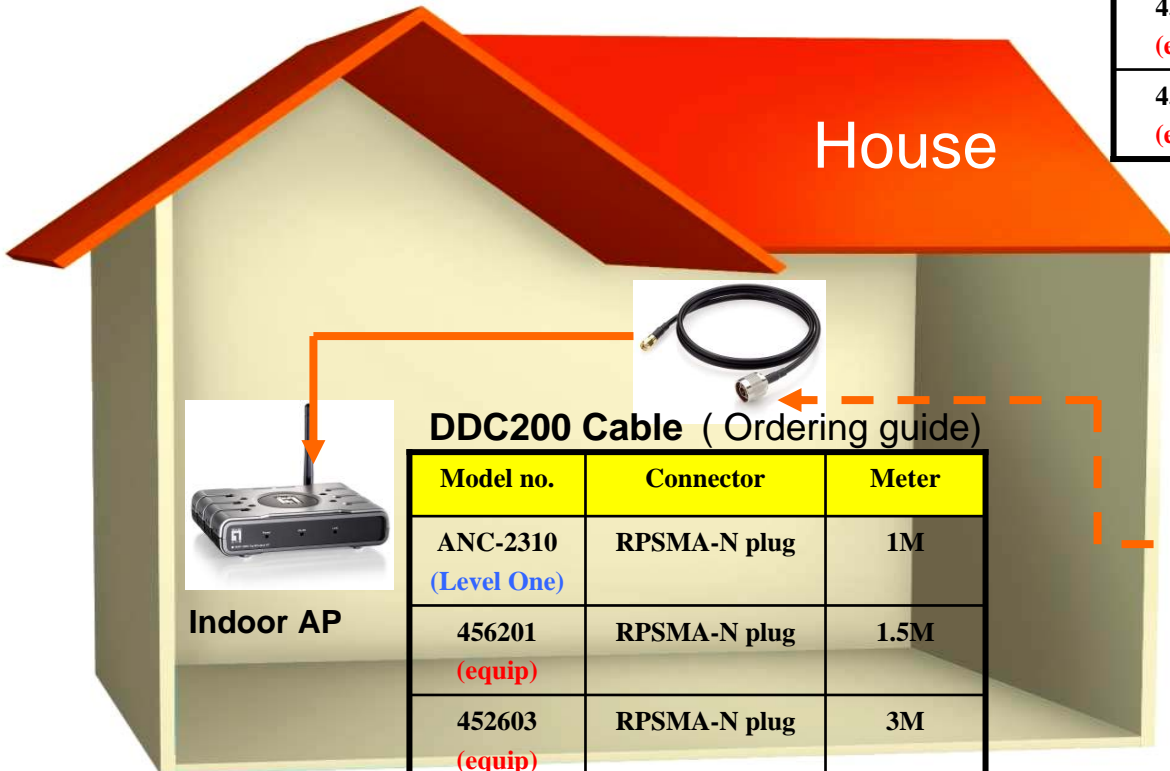


OAN-2081



DDC400 Cable (Ordering guide)

Model no.	Connector	Meter
456403 <i>(equip)</i>	N plug- N jack	3M
456406 <i>(equip)</i>	N plug- N jack	6M
456409 <i>(equip)</i>	N plug-N jack	9M



House



Indoor AP

DDC200 Cable (Ordering guide)

Model no.	Connector	Meter
ANC-2310 <i>(Level One)</i>	RPSMA-N plug	1M
456201 <i>(equip)</i>	RPSMA-N plug	1.5M
452603 <i>(equip)</i>	RPSMA-N plug	3M

Ground cable



ANA- 6100

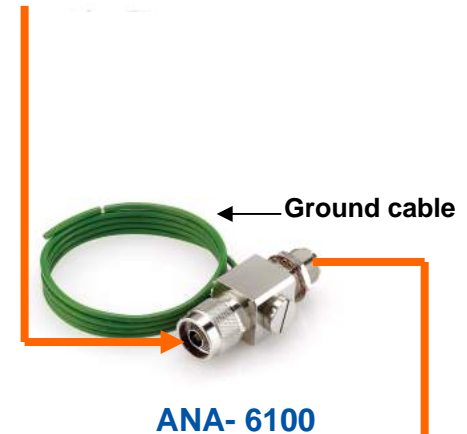


OAN-2081



DDC400 Cable (Ordering guide)

Model no.	Connector	Meter
456403 (equip)	N plug- N jack	3M
456406 (equip)	N plug- N jack	6M
456409 (equip)	N plug-N jack	9M



WAB-3002

DDC400 Cable (Ordering guide)

Model no.	Connector	Meter
ANC-4230 (Level One)	N plug-N plug	3M

DDC200 Cable (Ordering guide)

Model no.	Connector	Meter
ANC-4230 (Level One)	N plug-N plug	1M

